

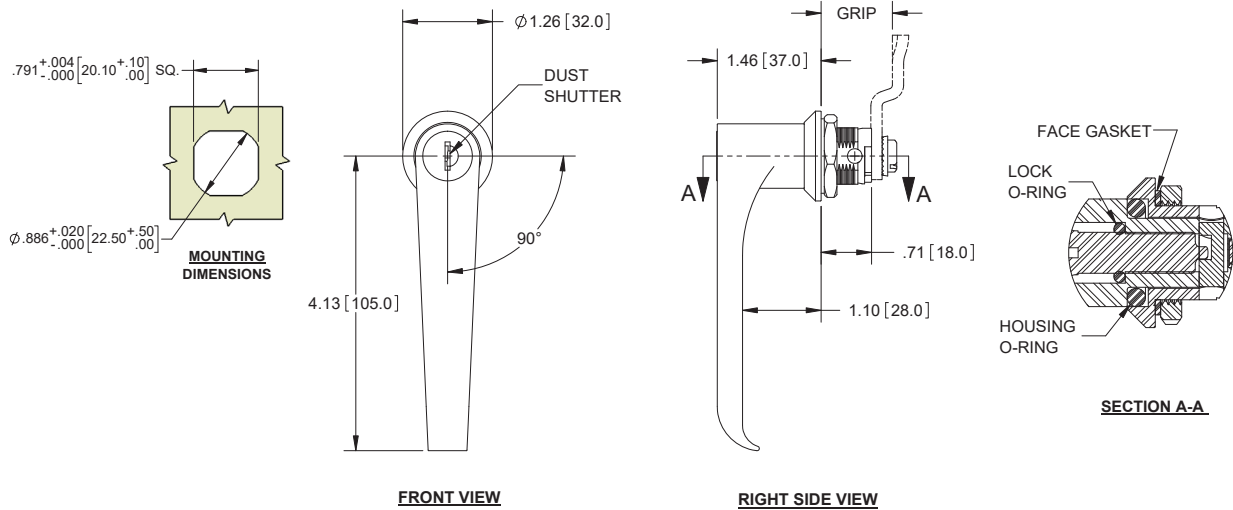


Locking L-Handle Quarter-turn Latches



Part Number	Key Code	L-Handle & Housing	
		Material	Finish
41-11	K14	die cast zinc	chrome
41-1101	K16	die cast zinc	chrome
41-11BK	333	die cast zinc	black powder coated
NEW 41-11CH	333	die cast zinc	chrome
41-11SST	333	316SS	brushed
41-15	non-locking	die cast zinc	chrome
41-15BK	non-locking	die cast zinc	black powder coated
41-15SST	non-locking	316SS	brushed

- ▶ includes body nut, cam retaining screw, and seals: (2) internal o-rings and a face gasket
- ▶ includes (2) ringed keys and stainless steel lock face and dust shutter
- ▶ intended for NEMA type 12 enclosure requirements; NEMA 4, 4X for stainless steel, non-locking part
- ▶ cams sold separately. See pg. 128 for cams & grip dimension



FRONT VIEW

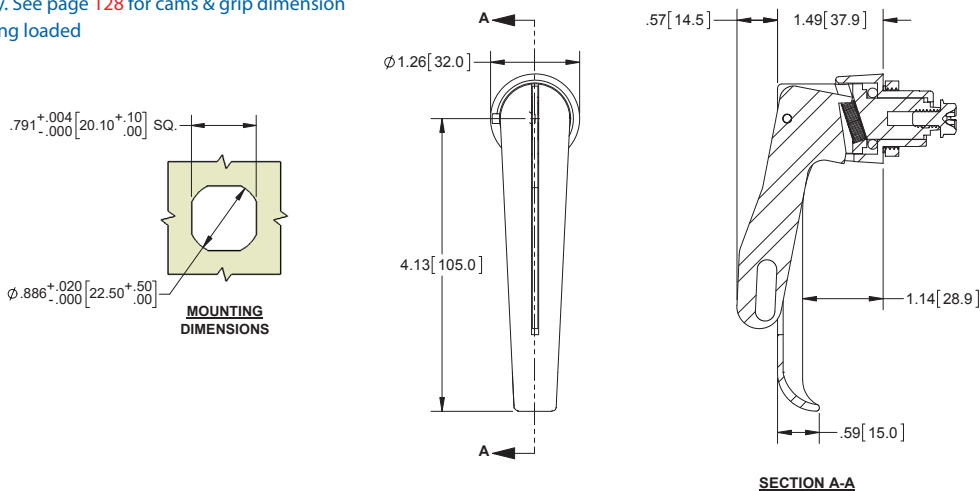
RIGHT SIDE VIEW



L-Handle Quarter-turn Latches with 304SS Padlock Plate

Part Number	Material	Finish
41-16	die cast zinc	chrome plated
41-16BK	die cast zinc	textured, black powder coated

- ▶ includes body nut, mounting screw and seals
- ▶ accepts up to Ø.25 (1/4) padlock
- ▶ cams sold separately. See page 128 for cams & grip dimension
- ▶ padlock plate is spring loaded



SECTION A-A