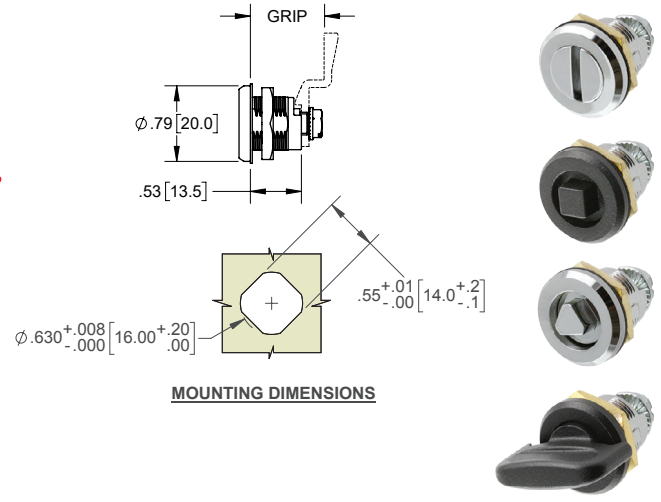




## Small Quarter-turn Latches

### Features

- ▶ assembly includes:
  - ▶ body mounting nut
  - ▶ cam retaining screw
  - ▶ face gasket
  - ▶ internal O-ring
  - ▶ disc washer
- ▶ cams sold separately, see table below
- ▶ intended for NEMA type 12 enclosure requirements; NEMA 4, 4X for stainless steel part
- ▶ keys available separately:
  - ▶ 6mm square key as p/n **40-01K** **NEW!**
  - ▶ 7mm triangle key as p/n **40-02K** **NEW!**

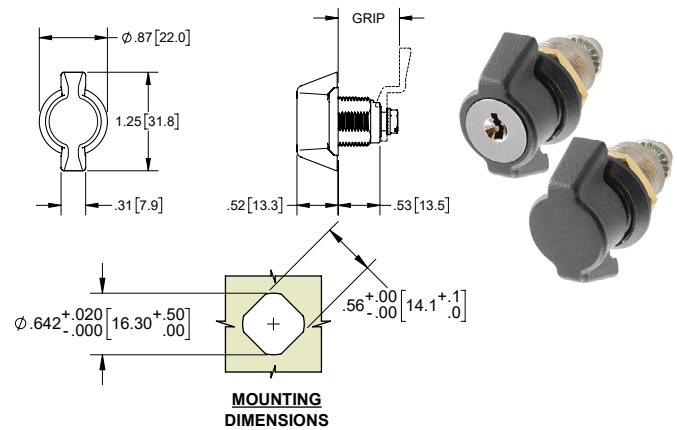


**MOUNTING DIMENSIONS**

Part No.	Material	Finish	Plug Style	Description
40-00	die cast zinc	chrome plated		slotted
40-00BK	die cast zinc	black powder coated		slotted
<b>NEW!</b> 40-00SST	316SS	passivated		slotted
40-01	die cast zinc	chrome plated		6mm square
40-01BK	die cast zinc	black powder coated		6mm square
<b>NEW!</b> 40-01SST	316SS	passivated		6mm square
40-02	die cast zinc	chrome plated		7mm triangle
40-02BK	die cast zinc	black powder coated		7mm triangle
40-02SS	304SS	machine polished		7mm triangle
40-03	die cast zinc	chrome plated		thumb turn
40-03BK	die cast zinc	black powder coated		thumb turn
<b>NEW!</b> 40-03SST	316SS	passivated		thumb turn

### Small Quarter-turn Latches with Wing Knob

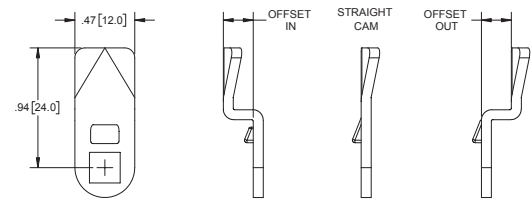
Part Number	Material	Finish	Description	Key Code
40-04	die cast zinc	chrome plated	wing knob	non-locking
40-04BK		black powder coated		non-locking
40-04LK		chrome plated		2233
40-04BCLK		black powder coated		2233



**MOUNTING DIMENSIONS**

### Cams

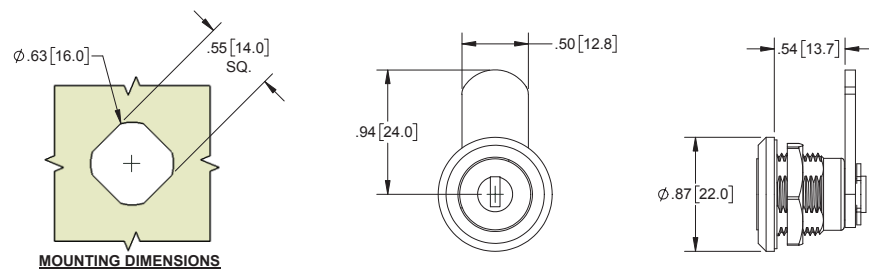
Part Number	Grip	Cam Style	Material	Finish
40C10	.53 [13.5]	straight	steel	zinc plated
<b>NEW!</b> 40C10SS			304SS	passivated
40C05	.30 [7.5]	offset in	steel	zinc plated
<b>NEW!</b> 40C05SS			304SS	passivated
40C15	.77 [19.5]	offset out	steel	zinc plated
<b>NEW!</b> 40C15SS			304SS	passivated



### Cam Locks

Part Number	Material	Finish
K201CP	die cast zinc	chrome
K201BK	die cast zinc	black textured powder coat

- ▶ key code 2233
- ▶ includes cam



**MOUNTING DIMENSIONS**

