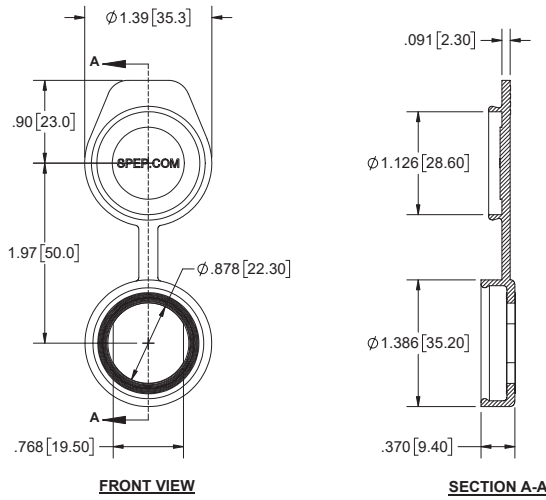


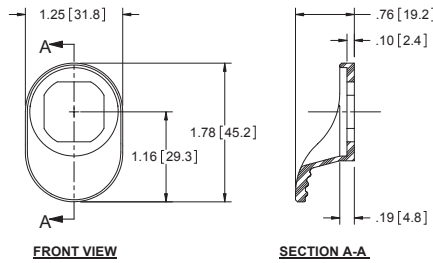
Plastic Cover for Quarter-turn Latches



Part Number	Material	Finish
KH55BK-10	thermoplastic	black, slight texture

- ▶ protects latch from water and dust
- ▶ may be used on latches on pages 110-113 and 157-159 that are not thumb-turn latches

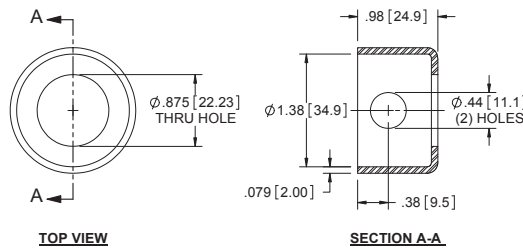
Black Finger Pull UV



Part Number	Material	Finish
KH38BK	thermoplastic with UV stabilizers	textured

- ▶ will shorten cam grip by .10" when you use this part

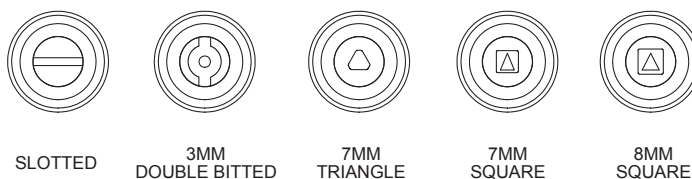
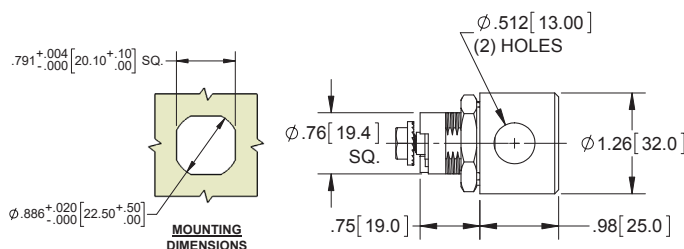
Padlock Cup



Part Number	Material	Finish
KH30BK	steel	black powder coated
KH30SS	304SS	passivated

- ▶ accepts $\phi 0.375$ (3/8) padlock
- ▶ will shorten cam grip by .08" when you use this part

Padlocking Quarter-turn Cabinet Latches NEMA 4 NEMA 12 IP65 RATED



Part Number	Description	Key Part No.
41-20BK	slotted	no key
41-21BK	3mm double bitted	4-14K
41-22BK	7mm triangle	4-15K
41-23BK	7mm square	4-16K
41-24BK	8mm square	4-19K

- ▶ material: die cast zinc, black powder coated
- ▶ intended for NEMA 4, 12 and IP65 enclosure requirements
- ▶ includes:
 - ▶ UL rated seals (o-ring and face seal)
 - ▶ mounting screw
 - ▶ body nut
 - ▶ disk washer
- ▶ cams sold separately. See pg. 128 for cams and grip dimension