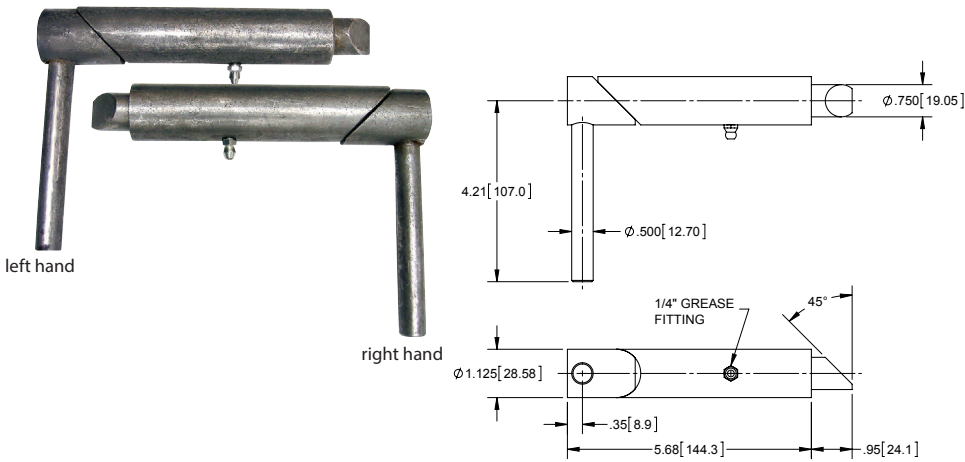
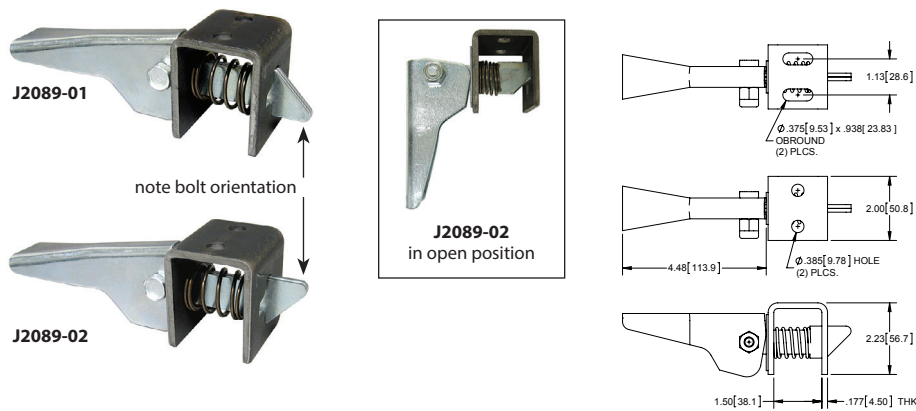


Weld-on Slam Action Latches



Part Number	Description	Material	Finish
1186-G	left hand	steel	mill
1186-D	right hand	steel	mill
1186-D01	right hand	aluminum	mill

Tipper Latches



Part Number	Material	Finish	Holes
J2089	steel	mill	round
J2089-01	steel	mill	round
J2089-02	steel	mill	round
J2089-03	steel	zinc plated	obround

- ▶ lever and bolt zinc plated
- ▶ part no. J2089 is shipped unassembled